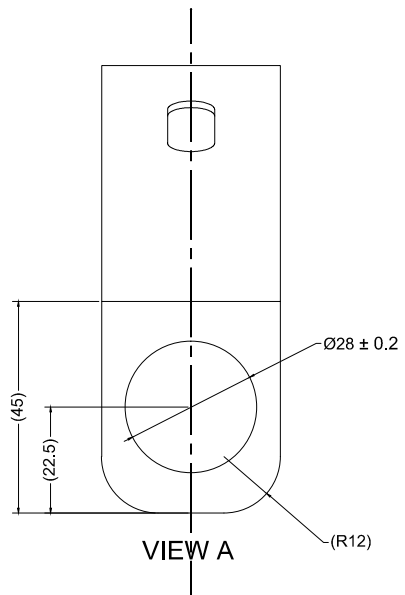
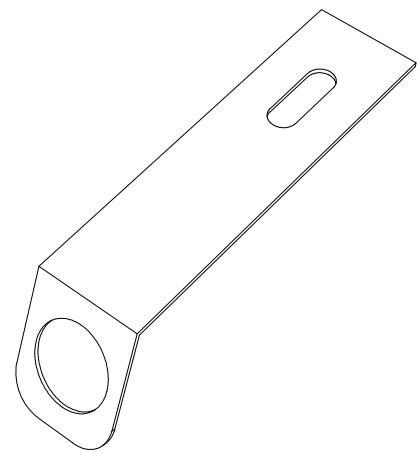
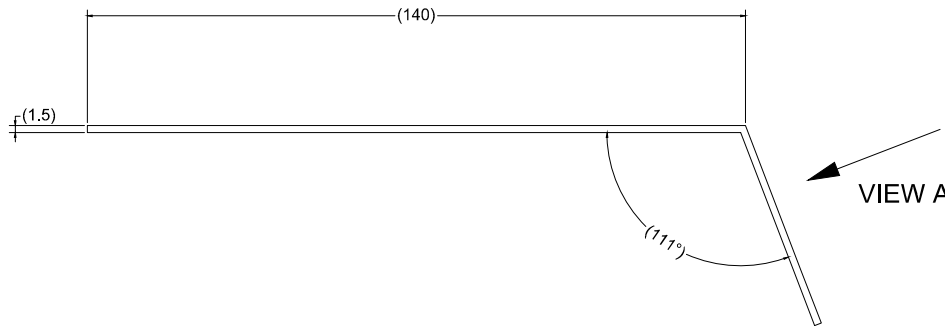
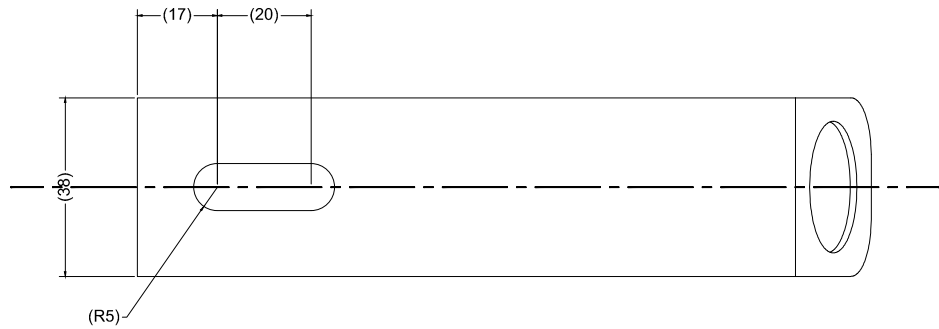


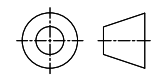
Revision Notes.				
R1 -				
APA: -	Drawn:-	Checked:-	Approved:-	Date: -



NOTES:
 1. FINISH: NATURAL
 2. MATERIAL: 4003 STAINLESS 1.5 MM THICK.

PROPRIETARY NOTICE
 THIS DESIGN AND TECHNICAL INFORMATION APPEARING ON THIS DRAWING IS THE PROPERTY OF BRIGADE ELECTRONICS, AND IS DISCLOSED IN CONFIDENCE. IT IS NOT TO BE COPIED, REPRODUCED, REVEALED TO OR EXPROPRIATED BY OTHERS, EITHER IN WHOLE OR IN PART WITHOUT THE EXPRESS WRITTEN CONSENT OF BRIGADE ELECTRONICS.

Customer Approval
 J.FIELD 12/03/14

Assembly PI Approval J.MILLER 11/03/14	Approved by J.MILLER	Checked by S.MATTHEWS	Drawn by P.MISSEN
Angle of Projection  Third Angle	Units mm	Scale N/A	Released 13/03/14
	Status RELEASED	Assembly Ref -	
Part No 4672		BE-002829-00-14	

BRIGADE[®]
 www.brigade-electronics.com